

Process Gauge

Applications

For applications with high dynamic pressure pulsations or vibration. These gauges have been designed to fulfil requirements of the process industries (petrochemical, biochemical, mining and power).

Standard Features

Sizes

4.5" (115 mm)

Accuracy

1% of full scale

Case and ring

Black fiberglass-reinforced thermoplastic

Window

Polycarbonate or safety glass

Bourdon tube / movement / socket

316L Stainless Steel

Operating Temperature

Ambient: -20 to 65°C (-4°F to 149°F)

Process fluid

max 65°C (149°F)

Dial

Aluminum with black & red markings

Pointer

Black aluminum, micrometer adjustable

Connection

1/4", 1/2" NPT or BSP, lower

Ranges

Vacuum / Compound to 200 psi
Pressure from 15 psi to 15,000 psi or other equivalent units of pressure or vacuum



Working pressure

Steady: full scale value
Fluctuating: 0.9 x full scale value
Short time: 1.5 x full scale value

Protection Degree

IP66

Liquid filling

Glycerin or dry but fill able execution

Window

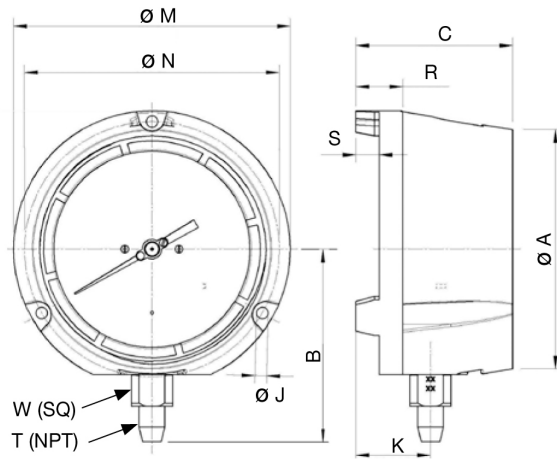
Clear acrylic with Buna-N gasket

Case filling

Glycerine 99.5% (Only bottom connection)

Process Gauge

Dimensions



Size		A	B	C	J	K	M	N	R	S	T	W	Weight ¹	
4.5"	mm	128	103	84	6.3	40	148	136.5	25	12.5		22	2 lb.	dry
	in	5	4.06	3.31	0.248	1.57	5.83	5.37	0.99	0.49	1/2"	0.87	3 lb.	filled