

Industrial Stainless Steel Pressure Gauge

Applications

With liquid filled case for applications with high dynamic pressure pulsations or vibration.

Process industry: chemical/petrochemical, power stations, mining, on and offshore, environmental technology, mechanical engineering and plant construction

Standard Features

Sizes

2.5", 4", 6"(63, 100 & 150 mm)

Accuracy

Dial 2.5": 1.6% of full scale

Dial 4" & 6: 1% of full scale

Case material

304 Stainless Steel matte finished

Bayonet bezel

304 Stainless Steel

Window

Polycarbonate or safety glass

Bourdon tube / movement / socket

316 Stainless Steel

Operating Temperature

Ambient: -20 to 65°C (-4°F to 149°F)

Process fluid

max 65°C (149°F)

Dial

Aluminum with black & red markings

Pointer

Black aluminum

Dial 4" & 6: micrometer adjustable

Connection

1/4", 1/2" NPT or BSP, lower & back

Ranges

Vacuum / Compound to 300psi/Bar

Pressure from 15psi to 15000psi/Bar



Working pressure

75% of full scale

Protection Degree

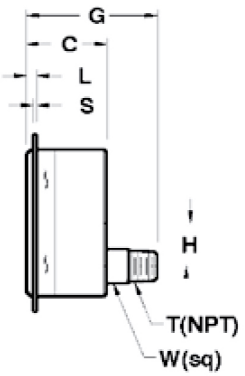
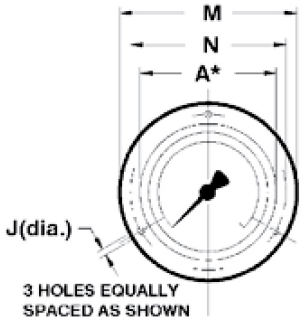
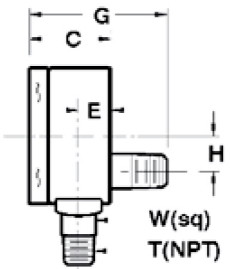
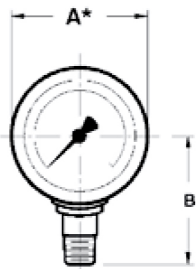
IP66

Liquid filling

Glycerin or dry but fill able execution

Industrial Stainless Steel Pressure Gauge

DIMENSIONS



LM/LBM

LM/FRONT FLANGE

Size		A	B	C'	E	G	H	J	L	M	N	S	T	W
2.5"	mm	63	48	42	17.5	63	18.5	4	3	85	75	2	1/4"	14
	in	2.48	1.89	1.65	0.69	2.48	0.73	0.16	0.12	3.35	2.95	0.08	1/4"	0.55
4"	mm	101	85	57.5	24	93	30	4.8	3	132	116	2	1/2"	22
	in	3.98	3.35	2.26	0.94	3.66	1.18	0.19	0.12	5.20	4.57	0.08	1/2"	0.87
6"	mm	161	116	58	24	-	-	5.8	3	196	178	2	1/2"	22
	in	6.34	4.57	2.28	0.94	-	-	0.23	0.12	7.72	7.01	0.08	1/2"	0.87